



# MODEL 21A / 42A

## 100 ton / 200 ton Gantry System

### CAPACITY:

#### 4 Point - MODEL 42A

200 (181) tons to 15'7" (4750 mm)  
171 (155) tons to 21'5" (6528 mm)

#### 2 Point - MODEL 21A

100 (91) tons to 15'7" (4750 mm)  
86 (78) tons to 21'5" (6528 mm)

Max. Operating PSI: 1600 (110 bar)

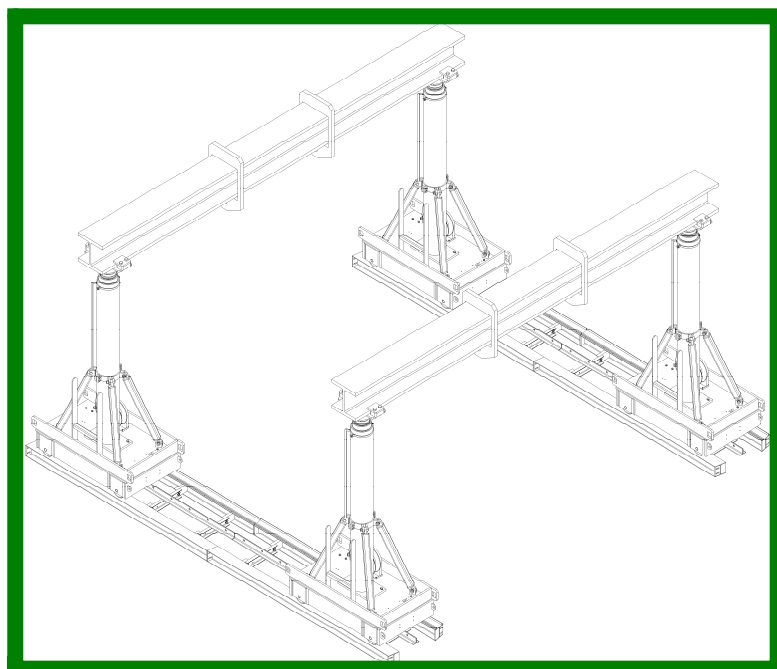
### BASE DIMENSIONS:

Length: 66" (1676 mm)  
Width: 36" (914 mm)  
Height Retracted: 9'8 1/2" (2959 mm)  
Weight: 2700 lbs. (1225 kg)

### POWER UNITS:

Two 100 gallon (379 L) Power Units  
per four point system  
Power Options: Diesel, Gasoline,  
Propane, Electric (3 phase, 440 Volt,  
60 Hz; or 3 Phase, 380 Volt, 50Hz)

Length: 65.5" (1664 mm)  
Width: 47" (1194 mm)  
Height: 42.5" (1080 mm)  
Weight Each: 2200 lbs. (1000 kg)



## STANDARD FEATURES

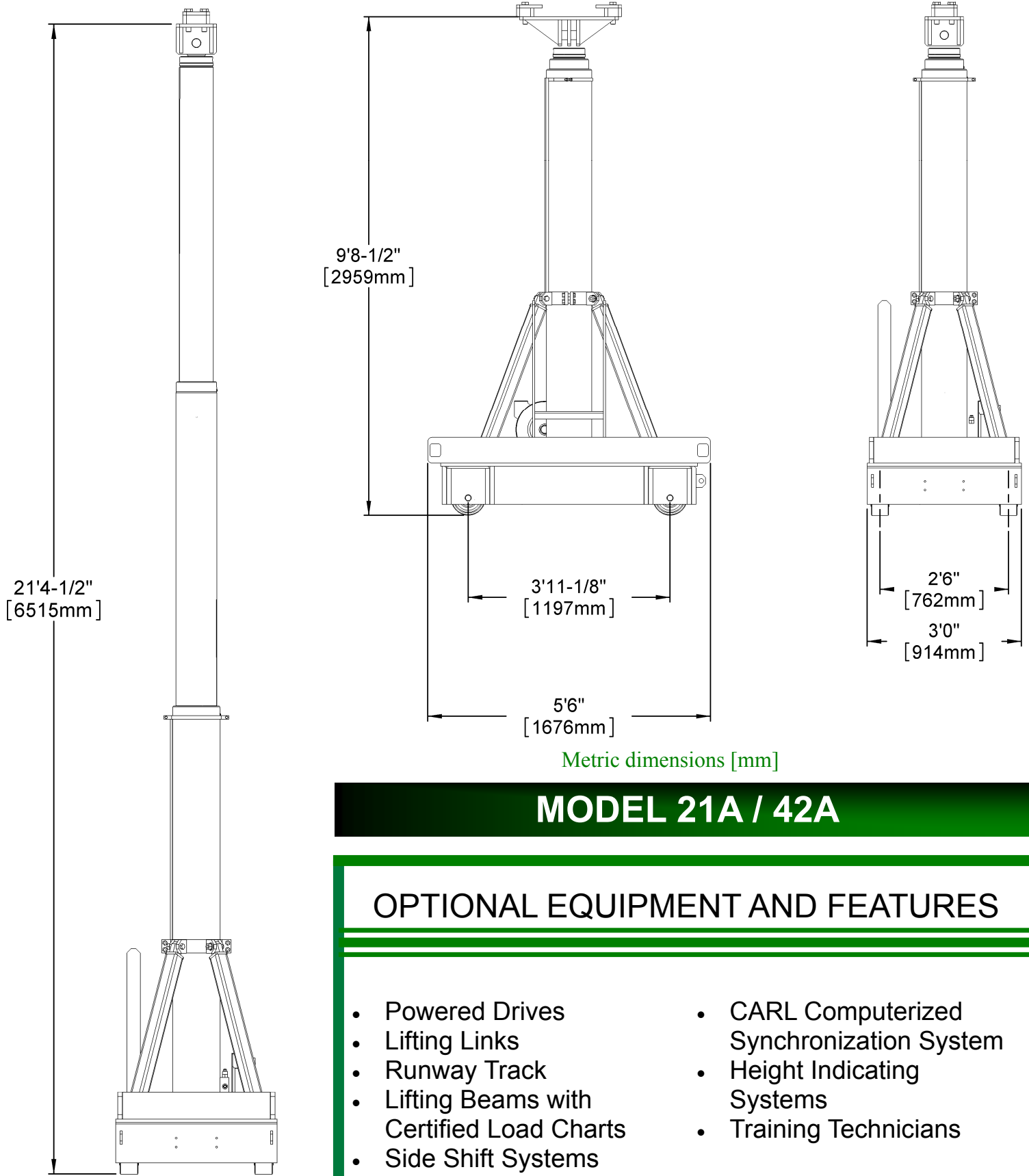
- Double Acting Cylinders
- Safety Holding Valves

### LIFT SYSTEMS, INC.

OFFICE:  
1505 - 7th Street  
East Moline, IL 61244

MAILING ADDRESS:  
P.O. Box 906  
Moline, IL 61266

TEL: +1-309-764-9842  
FAX: +1-309-764-9848  
EMAIL: [liftit@lift-systems.com](mailto:liftit@lift-systems.com)  
WEB: [www.lift-systems.com](http://www.lift-systems.com)



## MODEL 21A / 42A

### OPTIONAL EQUIPMENT AND FEATURES

- Powered Drives
- Lifting Links
- Runway Track
- Lifting Beams with Certified Load Charts
- Side Shift Systems
- CARL Computerized Synchronization System
- Height Indicating Systems
- Training Technicians

**LIFT SYSTEMS, INC.**

**OFFICE:** 1505 - 7th Street  
East Moline, IL 61244

**MAILING ADDRESS:** P.O. Box 906  
Moline, IL 61266

**TEL:** +1-309-764-9842  
**FAX:** +1-309-764-9848  
**EMAIL:** [liftit@lift-systems.com](mailto:liftit@lift-systems.com)  
**WEB:** [www.lift-systems.com](http://www.lift-systems.com)