



MODEL 2120T/4240T

120 ton / 240 ton Gantry System

CAPACITY:

4 Point - MODEL 4240T

244 (221) Tons to 15'6" (4724 mm)
154 (139) Tons to 21'3" (6477 mm)
100 (90) Tons to 27'0" (8230 mm)

2 Point - MODEL 2120T

122 (110) Tons to 15'6" (4724 mm)
77 (69) Tons to 21'3" (6477 mm)
50 (45) Tons to 27'0" (8230 mm)

Max. Operating PSI: 2150 (148 bar)

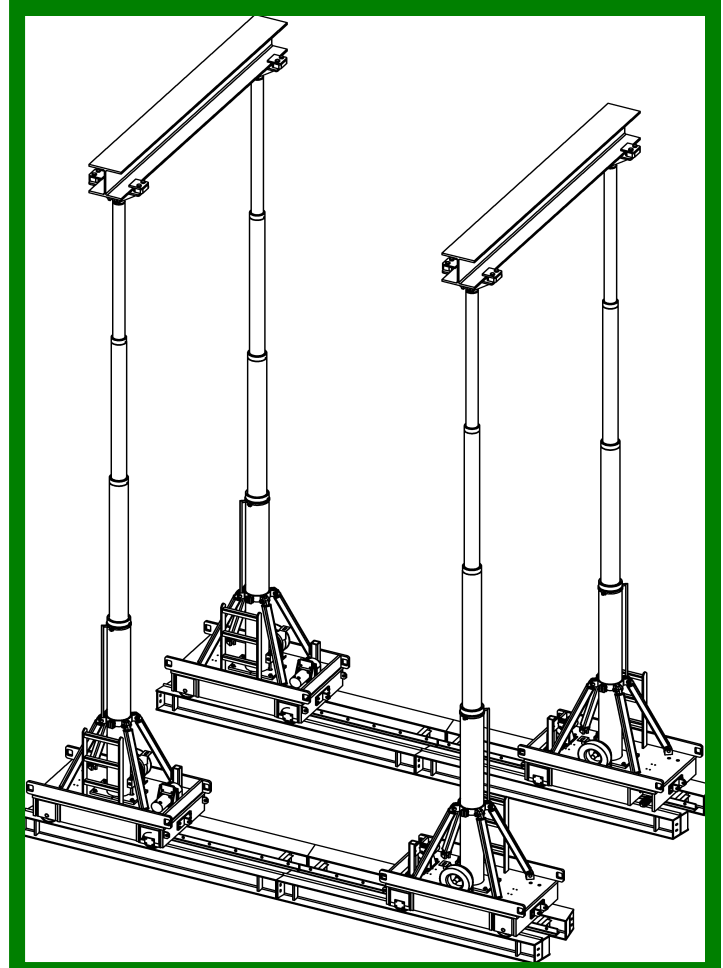
BASE DIMENSIONS:

Length: 66-1/4" (1683 mm)
Width: 36" (914 mm)
Height Retracted: 9'9" (2972 mm)
Weight: 4000 lbs. (1816 kg)

POWER UNITS:

Two 100 gallon (379 L) Power Units
per four point system
Power Options: Diesel, Gasoline,
Propane, Electric (3 phase, 440 Volt,
60 Hz; or 3 Phase, 380 Volt, 50Hz)

Length: 65.5" (1664 mm)
Width: 47" (1194 mm)
Height: 42.5" (1080 mm)
Weight Each: 2550 lbs. (1158 kg)



STANDARD FEATURES

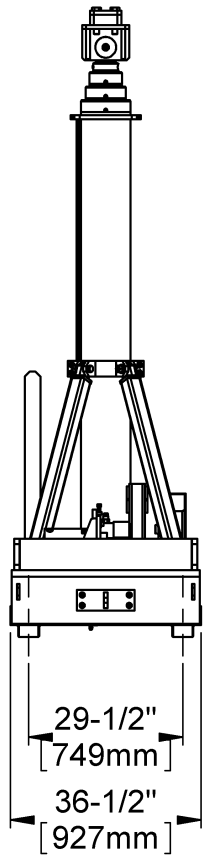
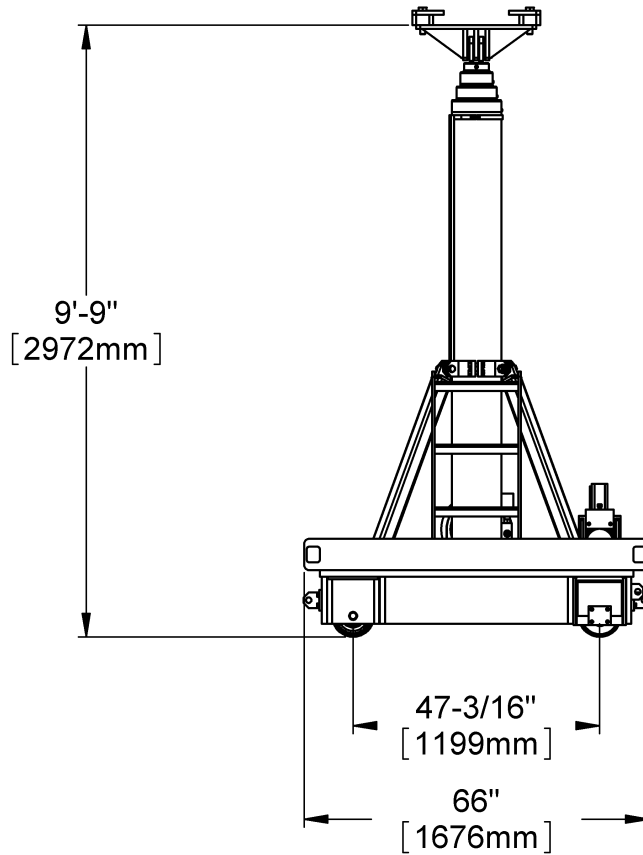
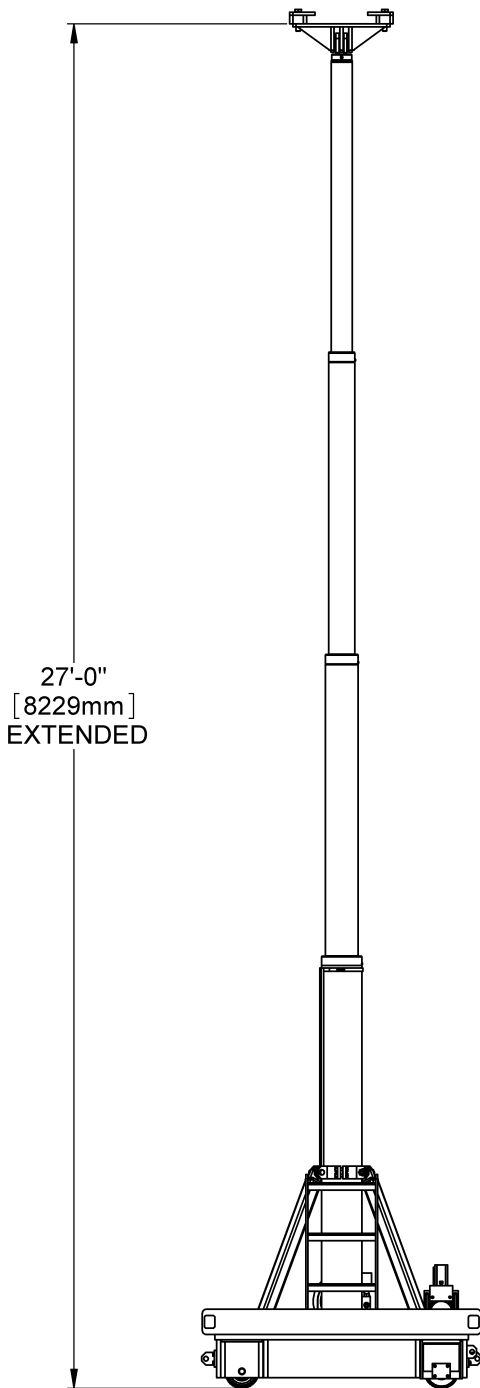
- Double Acting Cylinders
- Safety Holding Valves

LIFT SYSTEMS, INC.

OFFICE:
1505 - 7th Street
East Moline, IL 61244

MAILING ADDRESS:
P.O. Box 906
Moline, IL 61266

TEL: +1-309-764-9842
FAX: +1-309-764-9848
EMAIL: liftit@lift-systems.com
WEB: www.lift-systems.com



Metric dimensions [mm]

MODEL 2120T / 4240T

OPTIONAL EQUIPMENT AND FEATURES

- Powered Drives
- Lifting Links
- Runway Track
- Lifting Beams with Certified Load Charts
- Side Shift Systems
- CARL Computerized Synchronization System
- Radio Remote Control
- Training Technicians

LIFT SYSTEMS, INC.

OFFICE: 1505 - 7th Street East Moline, IL 61244	MAILING ADDRESS: P.O. Box 906 Moline, IL 61266	TEL: +1-309-764-9842 FAX: +1-309-764-9848 EMAIL: liftit@lift-systems.com WEB: www.lift-systems.com
--	---	--