



MODEL 2080 / 4160

80 ton / 160 ton Gantry System

CAPACITY:

4 Point - MODEL 4160

160 (145) tons to 13'4" (4064 mm)
104 (94) tons to 18'11-3/8" (5775 mm)

2 Point - MODEL 2080

80 (72) tons to 13'4" (4064 mm)
52 (47) tons to 18'11-3/8" (5775 mm)

Max. Operating PSI: 1850 (128 bar)

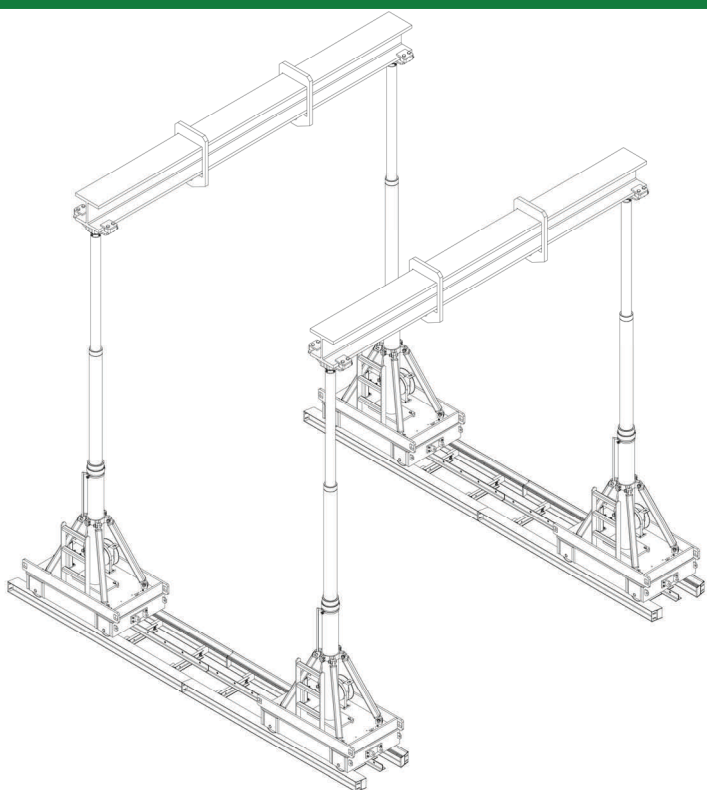
BASE DIMENSIONS:

Length: 66" (1676 mm)
Width: 36" (914 mm)
Height Retracted: 8'1/4" (2444 mm)
Weight: 2700 lbs. (1225 kg)

POWER UNITS:

Two 50 gallon (189 L) Power Units
per four point system
Power Options: Diesel, Gasoline,
Propane, Electric (3 phase, 440 Volt,
60 Hz; or 3 Phase, 380 Volt, 50Hz)

Length: 65.5" (1664 mm)
Width: 47" (1194 mm)
Height: 42.5" (1080 mm)
Weight Each: 2200 lbs. (1000 kg)



STANDARD FEATURES

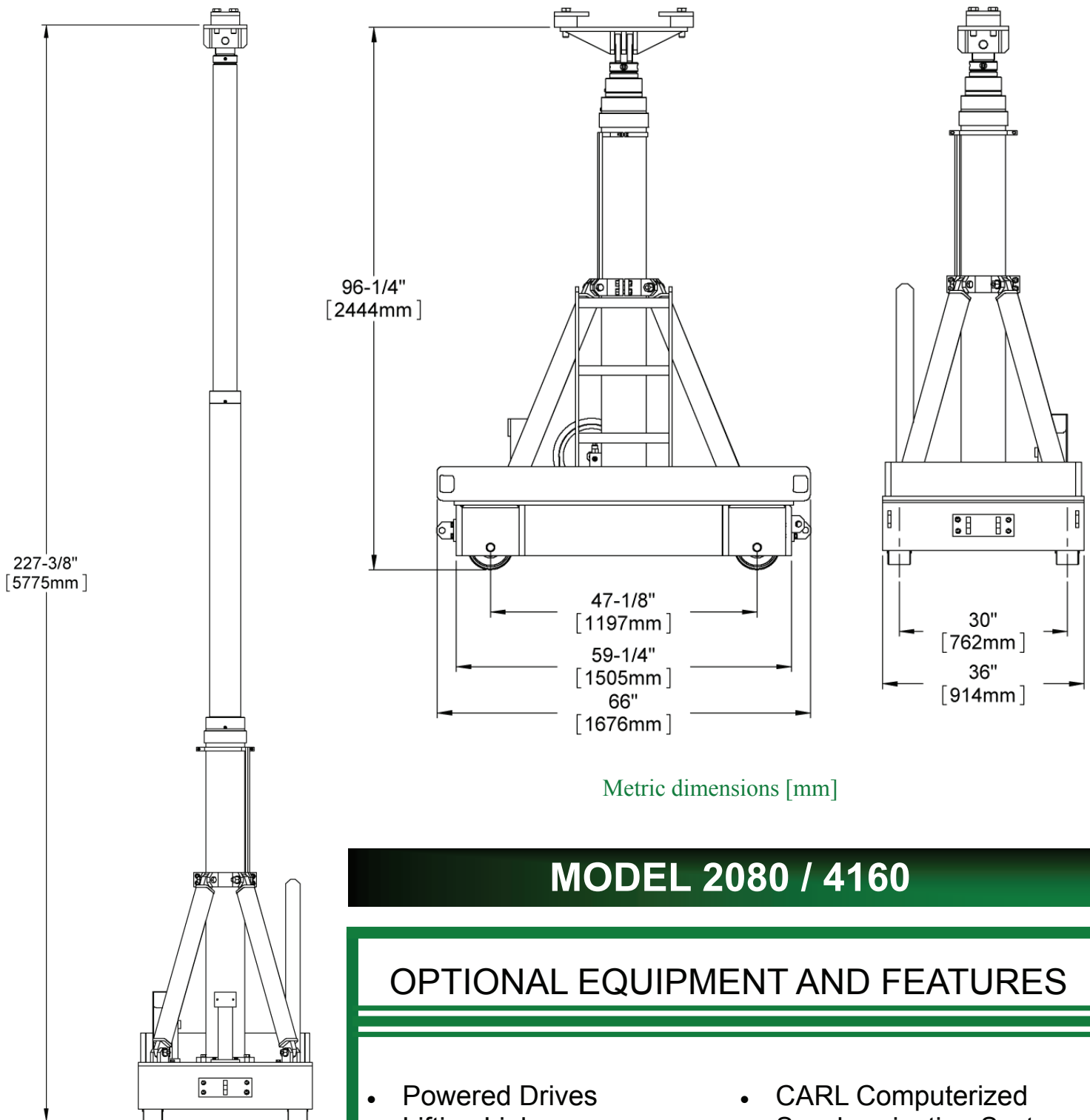
- Double Acting Cylinders
- Safety Holding Valves

LIFT SYSTEMS, INC.

OFFICE:
1505 - 7th Street
East Moline, IL 61244

MAILING ADDRESS:
P.O. Box 906
Moline, IL 61266

TEL: +1-309-764-9842
FAX: +1-309-764-9848
EMAIL: liftit@lift-systems.com
WEB: www.lift-systems.com



MODEL 2080 / 4160

OPTIONAL EQUIPMENT AND FEATURES

- Powered Drives
- Lifting Links
- Runway Track
- Lifting Beams with Certified Load Charts
- Side Shift Systems
- CARL Computerized Synchronization System
- Height Indicating Systems
- Training Technicians

LIFT SYSTEMS, INC.

OFFICE:
1505 - 7th Street
East Moline, IL 61244

MAILING ADDRESS:
P.O. Box 906
Moline, IL 61266

TEL: +1-309-764-9842
FAX: +1-309-764-9848
EMAIL: liftit@lift-systems.com
WEB: www.lift-systems.com