



MODEL 2033SC/4066SC

MIGHTY MINIJACKS SHORT

CAPACITY:

4 Point - MODEL 4066SC

66 (60) tons to 9'4" (2,845mm)
58 (53) tons to 12'8" (3,861mm)
50 (45) tons to 16' (4,877 mm)

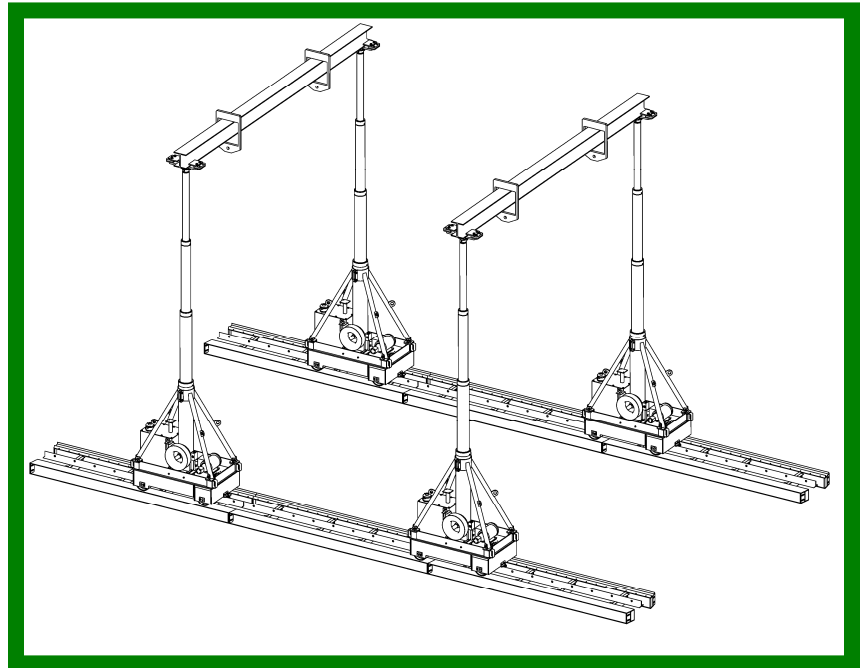
2 Point - MODEL 2033SC

33 (30) tons to 9'4" (2,845mm)
29 (26) tons to 12'8" (3,861mm)
25 (22) tons to 16' (4877 mm)

Max. Operating PSI: 2100 (145 bar)

BASE DIMENSIONS:

Length: 51" (1295 mm)
Width: 28 7/8" (734 mm)
Height Retracted: 72" (1829 mm)
Weight: 2200 lbs. (1000kg)



STANDARD FEATURES

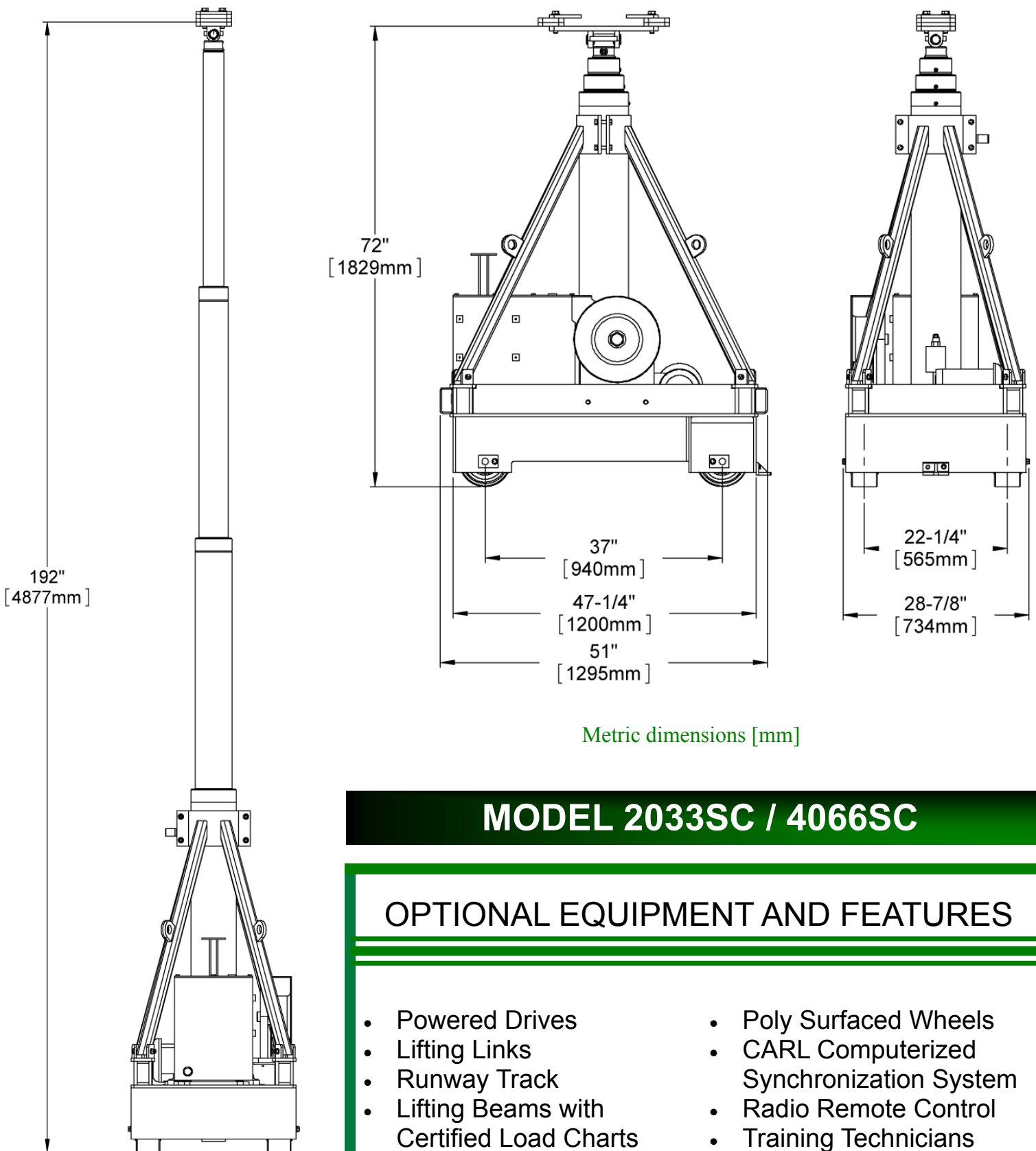
- Double acting cylinders
- Safety holding valves
- Self Contained Hydraulics
- Pendant Control
- Positioning Handle
- 220 volt / 60 Hz / 7.5 amp draw
- 14 Gallon (53 l) reservoir
- 1.5 g.p.m. pump

LIFT SYSTEMS, INC.

OFFICE:
1505 - 7th Street
East Moline, IL 61244

MAILING ADDRESS:
P.O. Box 906
Moline, IL 61266

TEL: +1-309-764-9842
FAX: +1-309-764-9848
EMAIL: liftit@lift-systems.com
WEB: www.lift-systems.com



MODEL 2033SC / 4066SC

OPTIONAL EQUIPMENT AND FEATURES

- Powered Drives
- Lifting Links
- Runway Track
- Lifting Beams with Certified Load Charts
- Side Shift Systems
- Poly Surfaced Wheels
- CARL Computerized Synchronization System
- Radio Remote Control
- Training Technicians

LIFT SYSTEMS, INC.

OFFICE: 1505 - 7th Street East Moline, IL 61244	MAILING ADDRESS: P.O. Box 906 Moline, IL 61266	TEL: +1-309-764-9842 FAX: +1-309-764-9848 EMAIL: liftit@lift-systems.com WEB: www.lift-systems.com
--	---	--