

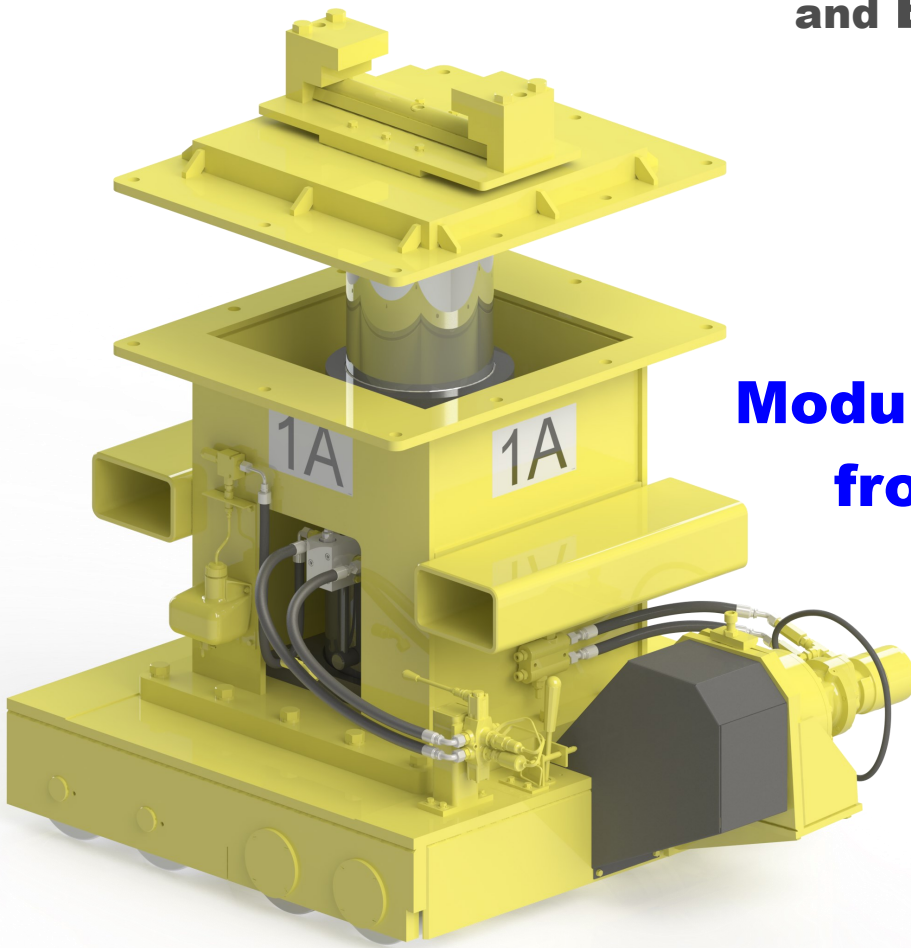


# HOIST & HAUL

250 ton per Pod Standard Capacity  
Custom Capacities / Configurations Available

## LIFT SYSTEMS, INC.

The Perfect Combination of Ingenuity, *Sophistication*,  
and **BRUTE FORCE!**



The **NEW**  
**Modular Jacking System**  
**from Lift Systems!**

### LIFT SYSTEMS, INC.

**OFFICE:**

1505 - 7th Street

East Moline, IL, USA 61244

**MAILING ADDRESS:**

P.O. Box 906

Moline, IL, USA 61266

TEL: +1-309-764-9842

FAX: +1-309-764-9848

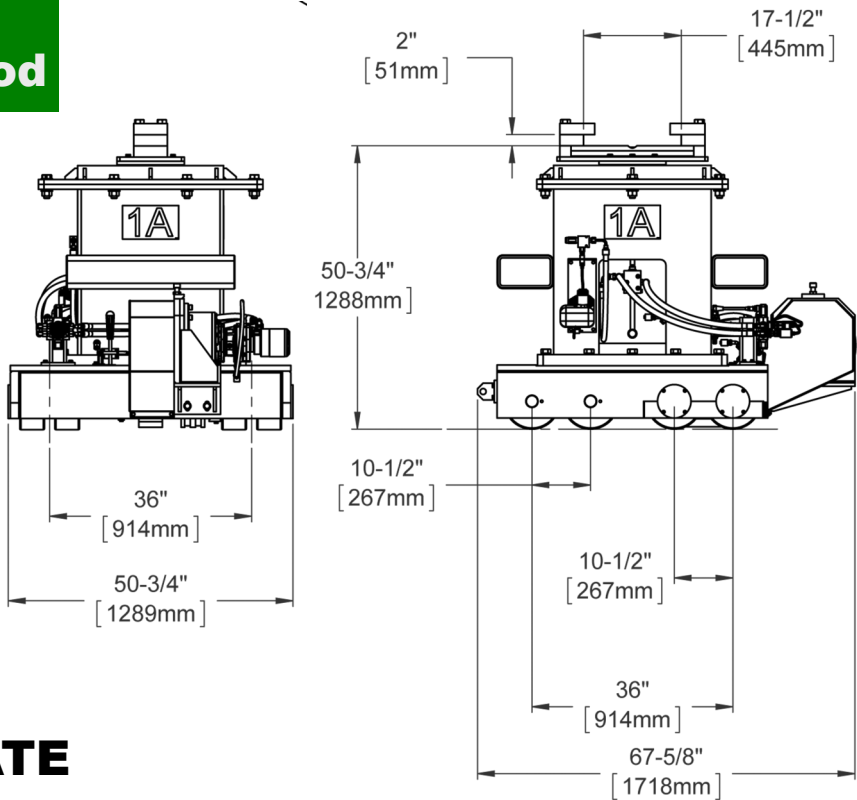
EMAIL: [info@lift-systems.com](mailto:info@lift-systems.com)

WEB: [lift-systems.com](http://lift-systems.com)

# HOIST & HAUL

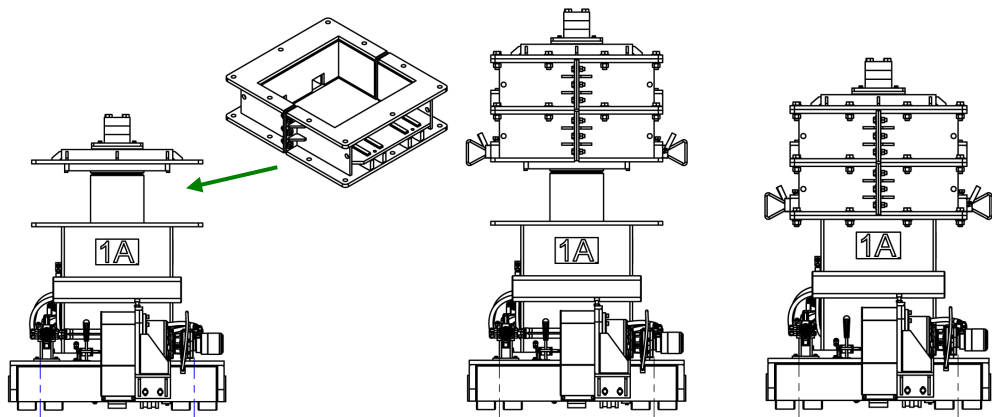
## 250 ton Capacity per Pod

- 250 Ton Capacity per pod
- Operates on standard hydraulic gantry track
- 3% gradability with full load
- Modular design for use on a variety of applications
- Compact design for ease of shipment

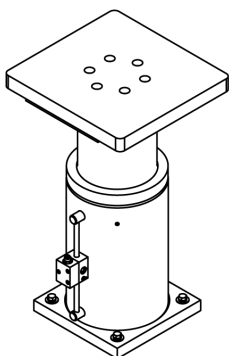


### SIMPLE TO OPERATE

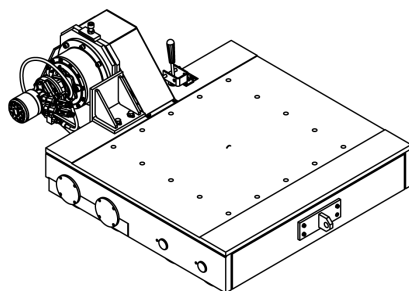
- 1) Raise the cylinder
- 2) Bolt in additional clam shells
- 3) Lower Cylinder
- 4) Insert Pins
- 5) Raise and repeat
- 6) Lower cylinder and bolt rigid for lateral movement



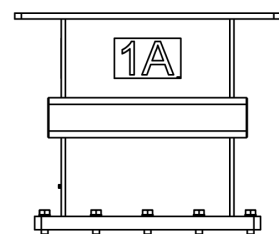
### MODULAR COMPONENTS FOR INDEPENDENT USE



250 ton Ram



250 ton Powered Dolly Pod



250 ton Climbing Jack