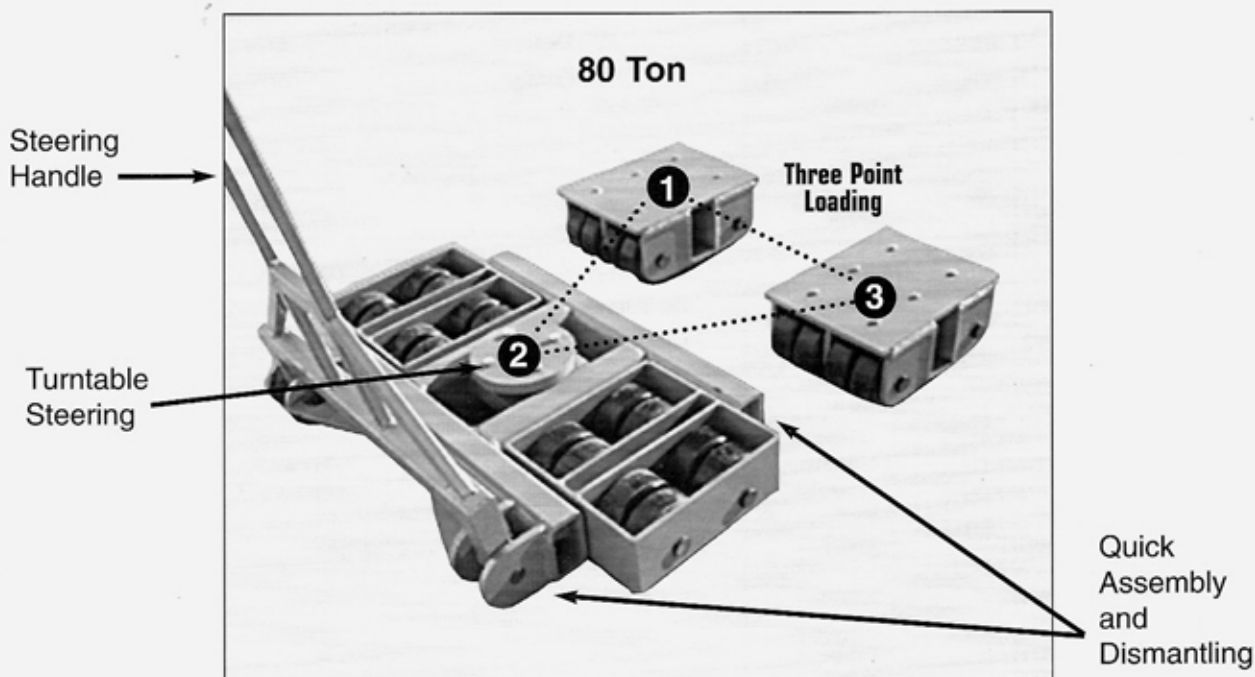


THE PROFESSIONAL WAY TO MOVE MACHINERY

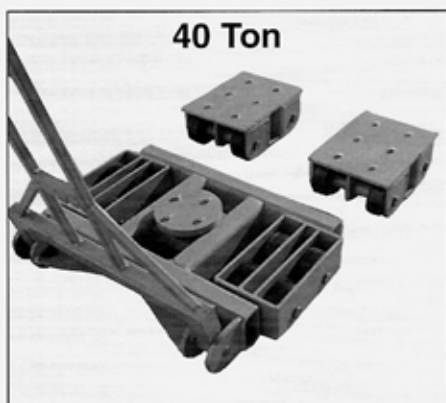
from Rigging Gear Sales



The Heavy Duty Low Profile machinery moving dollies are manufactured to the highest specification levels. The 40 ton, 80 ton, and 120 ton systems each have a single steerable front unit and an adjustable two-point rear set to give a stable three point transportation arrangement.

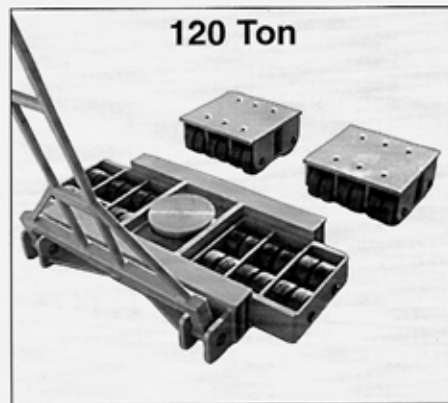
The weight is distributed evenly over all of the wheels with a fully oscillating front assembly and a two-pad rear assembly. This achieves optimum load sharing and ease of movement. The modular design of the dollies allows the addition of dolly components for greater carrying capacity.

The steerable unit has multiple wheels with low rolling resistance. These are non-marking, super tough, impact resistant poly wheels, each with special anti-friction bearings.



Each two point rear dolly assembly has multiple wheels of the same design; the addition of an adjustable axle (customer supplied) helps prevent misalignment of the dollies.

*See other side for
complete specifications.*



40 TON LOW PROFILE DOLLIES

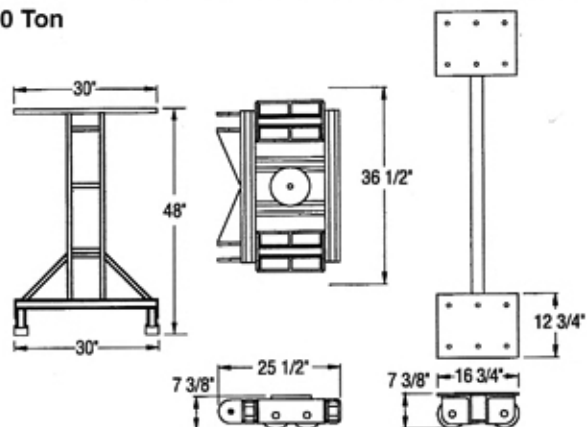
STEERABLE FRONT UNIT (Consists of one steer unit with handle)

Maximum Load.....40,000 lb.
Wheels.....(8 wheels).....6" dia. x 2 1/2"
Turntable.....8 1/4"
Overall Height.....7 3/8"
Handle Length.....48"
Heaviest Piece.....198 lb.
Assembled Weight, Including Handle.....417 lb.

ADJUSTABLE REAR SYSTEM (Consists of two rolling units)

Maximum Load.....20,000 lb. per pad.....40,000 lb.
Wheels.....(4 per pad).....6" dia. x 2 1/2"
Load Area (per pad).....12 3/4" x 16 3/4"
Overall Height.....7 3/8"
Width Adjustment.....Variable by axle length
Axle--5" x 2 1/2" rectangular tube.....customer supplied
Assembled Weight.....158 lb. per pad.....total 316 lb.

40 Ton



80 TON LOW PROFILE DOLLIES

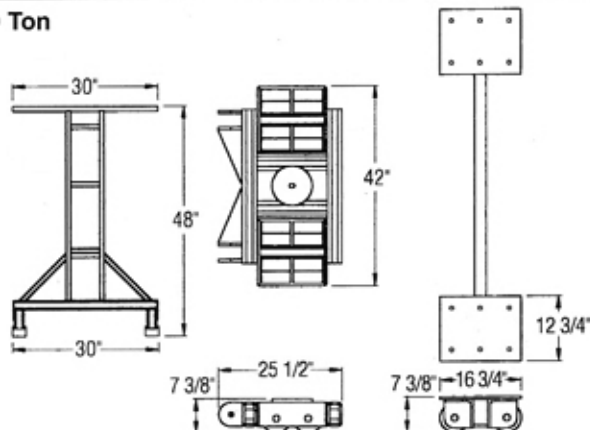
STEERABLE FRONT UNIT (Consists of one steer unit with handle)

Maximum Load.....80,000 lb.
Wheels.....(16 wheels).....6" dia. x 2 1/2"
Turntable.....8 1/4"
Overall Height.....7 3/8"
Handle Length.....48"
Heaviest piece.....198 lb.
Assembled Weight, Including Handle.....585 lb.

ADJUSTABLE REAR SYSTEM (Consists of two rolling units)

Maximum Load.....40,000 lb. per pad.....80,000 lb.
Wheels.....(8 per pad).....6" dia. x 2 1/2"
Load Area (per pad).....12 3/4" x 16 3/4"
Overall Height.....7 3/8"
Width Adjustment.....variable by axle length
Axle--5" x 2 1/2" rectangular tube.....customer supplied
Assembled Weight.....198 lb. per pad.....total 396 lb.

80 Ton



120 TON LOW PROFILE DOLLIES

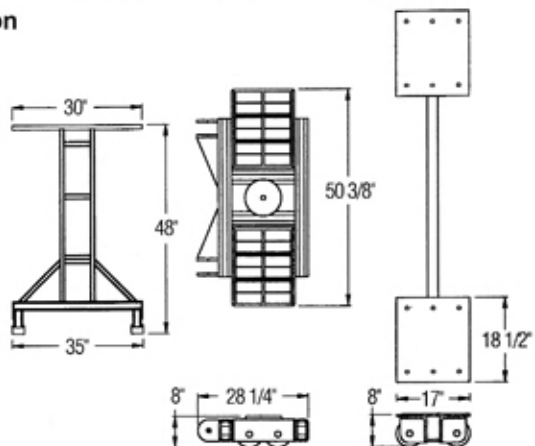
STEERABLE FRONT UNIT (Consists of one steer unit with handle)

Maximum Load.....120,000 lb.
Wheel.....(24 wheels).....6" dia. x 2 1/2"
Turntable.....10"
Overall Height.....8"
Handle Length.....48"
Assembled Weight, Including Handle.....905 lb.

ADJUSTABLE REAR SYSTEM (Consists of two rolling units)

Maximum Load.....60,000 lb. per pad.....120,000 lb.
Wheels.....(12 per pad).....6" dia. x 2 1/2"
Load Area (per pad).....17" x 18 1/2"
Overall Height.....8"
Width Adjustment.....Variable by axle length
Axle--5" x 2 1/2" rectangular tube.....customer supplied
Assembled Weight.....320 lb. per pad.....total 640 lb.

120 Ton



Distributed by:

For More Information, Contact:

RIGGING GEAR SALES, Inc.

Post Office Box 544 • Dixon, IL 61021

(815) 288-6403 • Toll Free: (800) 728-4911 • Fax: (815) 288-6100