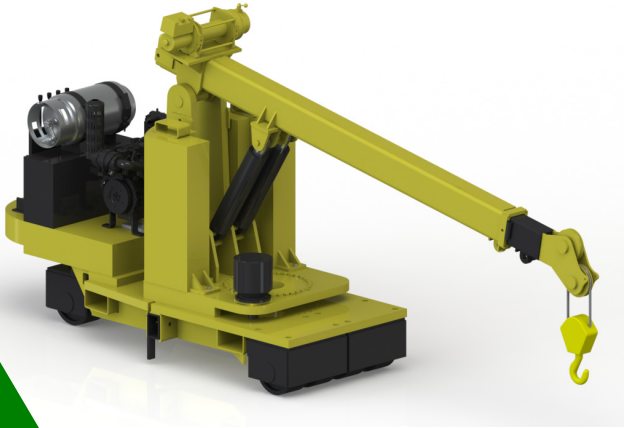




7.5 Ton WALK BEHIND CRANE by LIFT SYSTEMS, INC.



***Global Leaders in Specialized
Lifting Equipment!***



WALK BEHIND CRANE

7.5 TON

STANDARD EQUIPMENT

ENGINE:

Kubota, 3 cylinder, 17 hp, water cooled, propane engine

PUMP:

Gear Pump rated at 7.56 GPM @ 2,000 PSI

CONTROLS:

Separate controls for each function. Hydraulic lever controls allow for multiple functions to be performed at the same time.

DRIVE:

Full hydrostatic drive system powers all wheels.

WHEELS:

Front: qty. (4)

Diameter: 10"

Width: 5"

Rear: qty. (2)

Diameter: 10"

Width: 5"

Replaceable polyurethane composition

STEERING:

90 degree steering with electric over hydraulic, push button control.

FLOOR LOADING:

788 PSI with maximum load.

HYDRAULIC RESERVOIR:

15 gallons

BOOM ROTATION:

220 degree slewing capability. Outriggers must be in the out and down position when slewing.

Boom is locked from rotation when outriggers are not extended.

BOOM ANGLE RANGE:

-5 degrees to +74 degrees

BOOM LIFT CYLINDERS:

Dual cylinders capable of lifting and lowering with a full load. Integral safety holding valve.

BOOM TELESCOPE CYLINDER:

Single cylinder capable of telescoping the boom in and out with a full load. Integral safety holding valve.

WINCH:

High performance hydraulic winch. Integral, full load brake. 110' of 7/16" wire rope standard.

BLOCK:

10 ton single sheave block standard.

Low profile with swivel hook.

POWER BOOM AND MAIN BOOM**LIFTING EYES:**

Qty. (1) located on power boom and qty. (1) located on main boom each with 3 ton capacity.

WEIGHT:

16,346 lbs base unit + counterweights

11,622 lbs without counterweights

TIE DOWN EYES:

Tie down eyes installed for securing unit during transport of the unit.

ANTI-TWO-BLOCK DEVICE:

Safety device installed to prevent hook block from contacting boom.

OTHER STANDARD FEATURES:

Travel alarm, horn, and strobe light.

OPTIONAL EQUIPMENT

RADIO REMOTE CONTROL:

Radio remote control allows full machine functionality from a wireless radio remote.

Allows operator optimal view of load.

Emergency safety shutdown switch is standard.

JIB EXTENSION:

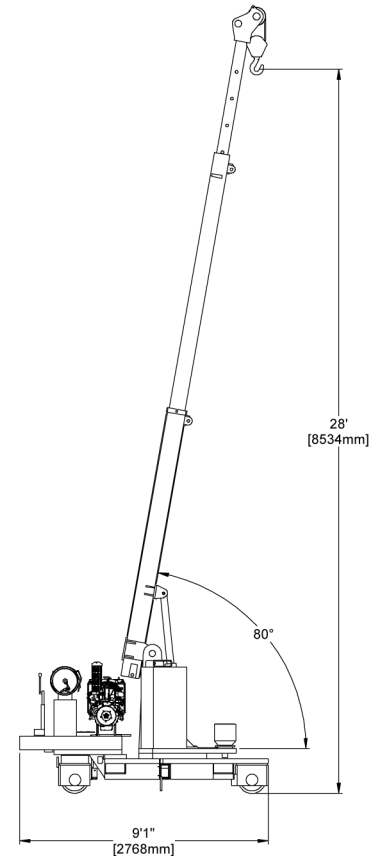
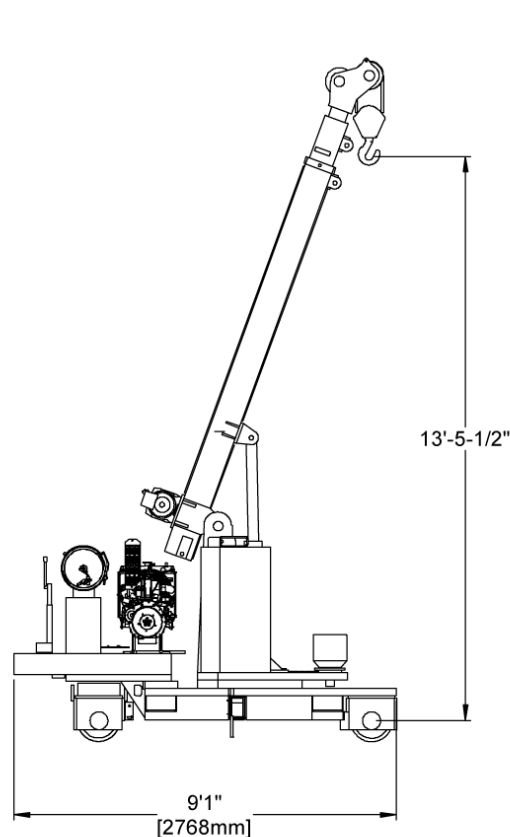
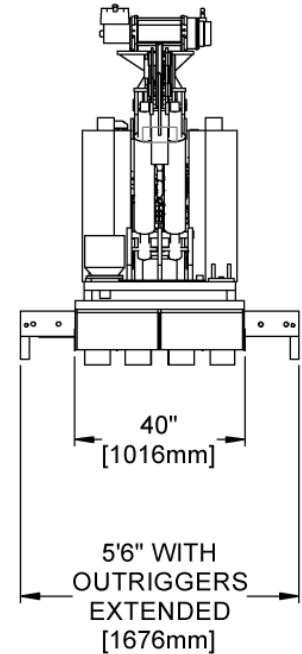
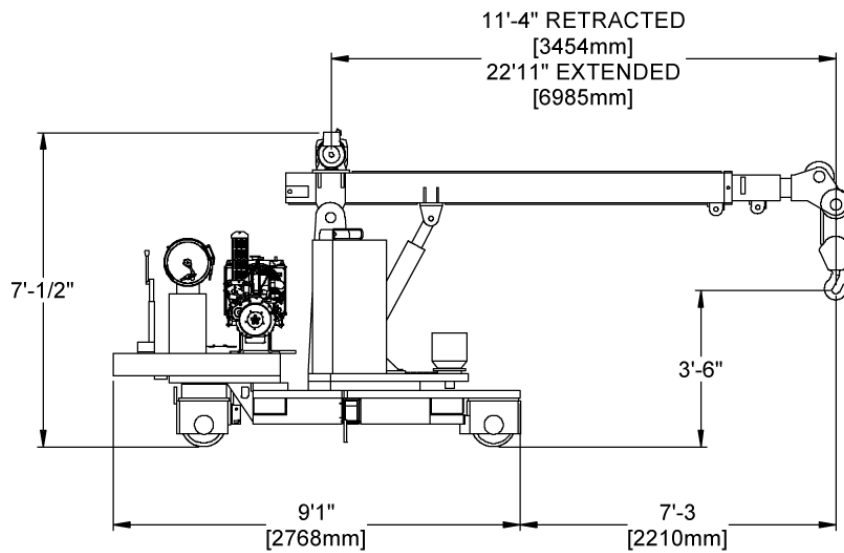
Consult factory for available capacities and lengths.



WALK BEHIND CRANE

7.5 TON

DIMENSIONAL DATA

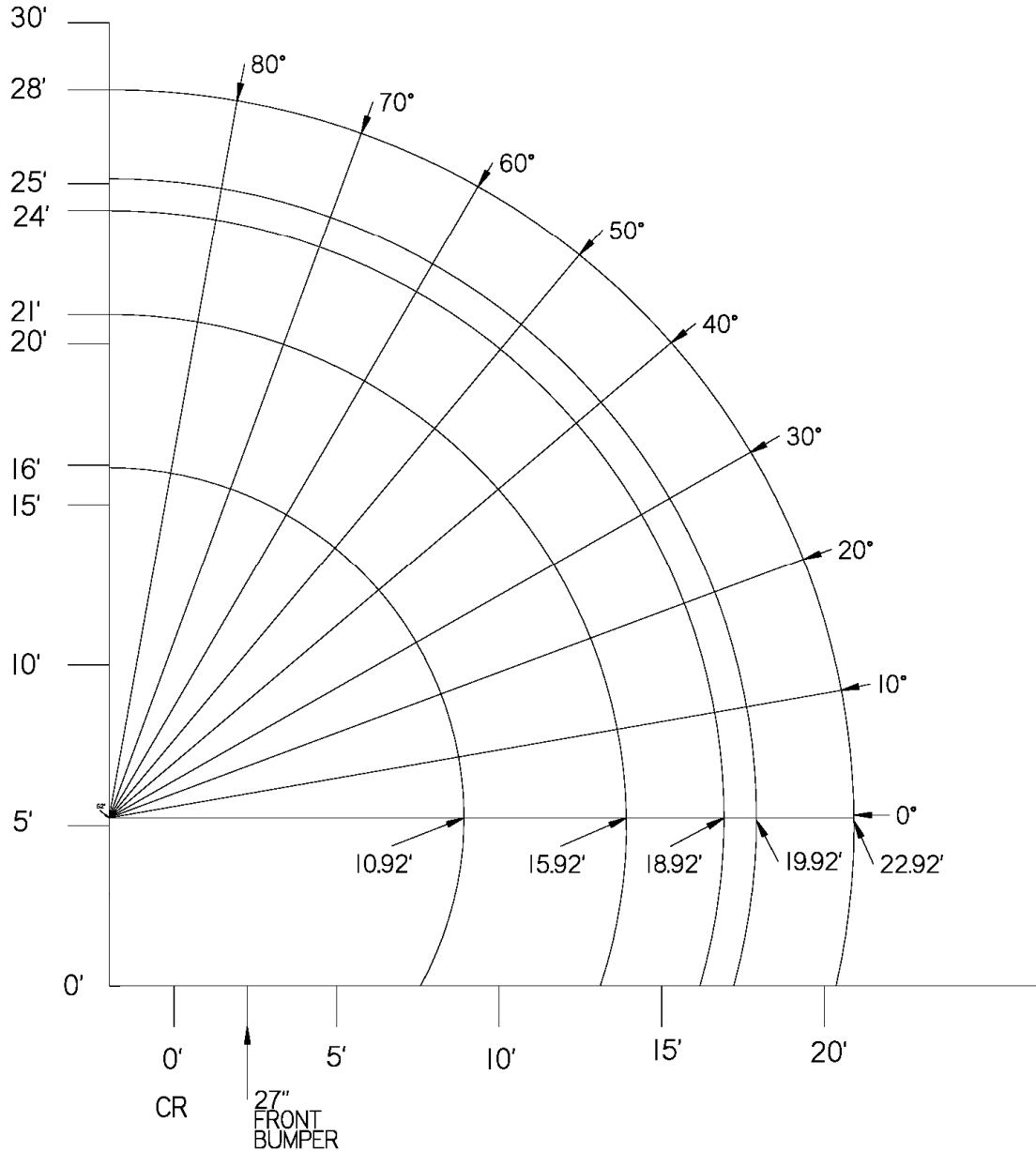




WALK BEHIND CRANE

7.5 TON

RANGE DIAGRAM



NOTE

1. The above chart is for reference purposes only.
2. Never use the above chart for lift planning calculations
3. Lift plan calculations are to be determined solely by the load charts and range diagrams that are issued for the specific serial numbered machine that is to be used for the specific planned lift.



WALK BEHIND CRANE

7.5 TON

LOAD CHARTS FOR BASE UNIT WITH FULL COUNTERWEIGHT

CAPACITY OVER FRONT OF MACHINE (lbs.)							CAPACITY OVER SIDE OF MACHINE - 90° (lbs.) (OUTRIGGERS REQUIRED)						
OPERATING RADIUS		HYDRAULIC SECTION		MANUAL SECTION		JIB SECTION	OPERATING RADIUS		HYDRAULIC SECTION		MANUAL SECTION		JIB SECTION
CENTRE OF ROTATION	FRONT OF MACHINE	Retracted	Extended	Retracted	Extended	Extended	CENTRE OF ROTATION	FRONT OF MACHINE	Retracted	Extended	Retracted	Extended	Extended
		10.92'	15.92'	18.92'	19.92'				10.92'	15.92'	18.92'	19.92'	
3'	9"	15,000	11,000	10,750	8,835		3'	5"	15,000	11,000	10,750	8,835	
4'	1'9"	13,200	9,975	9,400	7,695	6,925	4'	1'5"	13,200	9,975	9,400	7,695	6,925
5'	2'9"	10,600	9,600	8,265	6,840	6,160	5'	2'5"	10,600	9,600	8,265	6,840	6,160
6'	3'9"	9,500	8,500	7,310	6,080	5,475	6'	3'5"	8,820	8,500	7,310	6,080	5,475
7'	4'9"	8,450	7,700	6,650	5,510	4,960	7'	4'5"	7,030	7,030	6,650	5,510	4,960
8'	5'9"	7,200	7,000	5,985	5,035	4,530	8'	5'5"	5,520	5,250	5,250	5,035	4,530
9'	6'9"	6,270	6,270	5,500	4,655	4,190	9'	6'5"	4,950	4,950	4,950	4,655	4,650
10'	7'9"		5,580	5,130	4,370	3,935	10'	7'5"		4,275	4,275	4,275	4,275
11'	8'9"		5,035	4,750	4,085	3,675	11'	8'5"		3,765	3,765	3,765	3,765
12'	9'9"		4,585	4,465	3,800	3,420	12'	9'5"		3,350	3,350	3,350	3,350
13'	10'9"		4,225	4,180	3,610	3,250	13'	10'5"		3,000	3,000	3,000	3,000
14'	11'9"		3,925	3,895	3,325	3,000	14'	11'5"		2,720	2,720	2,720	2,720
15'	12'9"			3,655	3,230	2,950	15'	12'5"			2,480	2,480	2,480
16'	13'9"			3,440	3,040	2,890	16'	13'5"			2,270	2,270	2,270
17'	14'9"	1) Capacities over front and side are pick & carry		3,250	2,945	2,800	17'	14'5"	1) Capacities over front and side are pick & carry		2,090	2,090	2,090
18'	15'9"	2) Capacities over front and side are 85% of tipping			2,850	2,755	18'	15'5"	2) Capacities over front and side are 85% of tipping			1,925	1,925
19'	16'9"	3) Capacities above bold line are limited by structural				2,565	19'	16'5"	3) Capacities above bold line are limited by structural				1,795
20'	17'9"	4) Outriggers must be fully extended and lowered when rotating boom				2,340	20'	17'5"	4) Outriggers must be fully extended and lowered when rotating boom				1,585
21'	18'9"	5) User must deduct all loads on cable including the hook block (70 lbs.), rigging, etc.				2,250	21'	18'5"	5) User must deduct all loads on cable including the hook block (70 lbs.), rigging, etc.				1,485

NOTE:

Specifications are provided in imperial dimensions. All equipment dimensions, designs, specifications, calculations, etc., as described, are subject to change at manufacturer's discretion at any time and without notice. Weights are approximate and may vary. Data herein is for informational purposes only and will not be construed to guarantee suitability of equipment for any particular as performance may vary with conditions encountered. Warranty will apply as written in standard contract form upon purchase of equipment. Capacities are for reference only and must not be used for any serial numbered machine. Serial numbered load charts may be obtained from Lift Systems, Inc.

LIFT SYSTEMS, INC.

OFFICE:
1505 - 7th Street
East Moline, IL 61244

MAILING ADDRESS:
P.O. Box 906
Moline, IL 61266

TEL: +1-309-764-9842
FAX: +1-309-764-9848
EMAIL: liftit@lift-systems.com
WEB: www.lift-systems.com