



MODEL 34PT8552WT

850 Ton POWER TOWER Gantry System

CAPACITY:

4 Point

850 (771) Tons to 31'5 1/2" (9,588 mm)
525 (426) Tons to 40'7/8" (12,214 mm)

2 Point

425 (385) Tons to 31'5 1/2" (9,588 mm)
263 (238) Tons to 40'7/8" (12,214 mm)

Max. Operating PSI: 2800 (193 bar)

BASE DIMENSIONS:

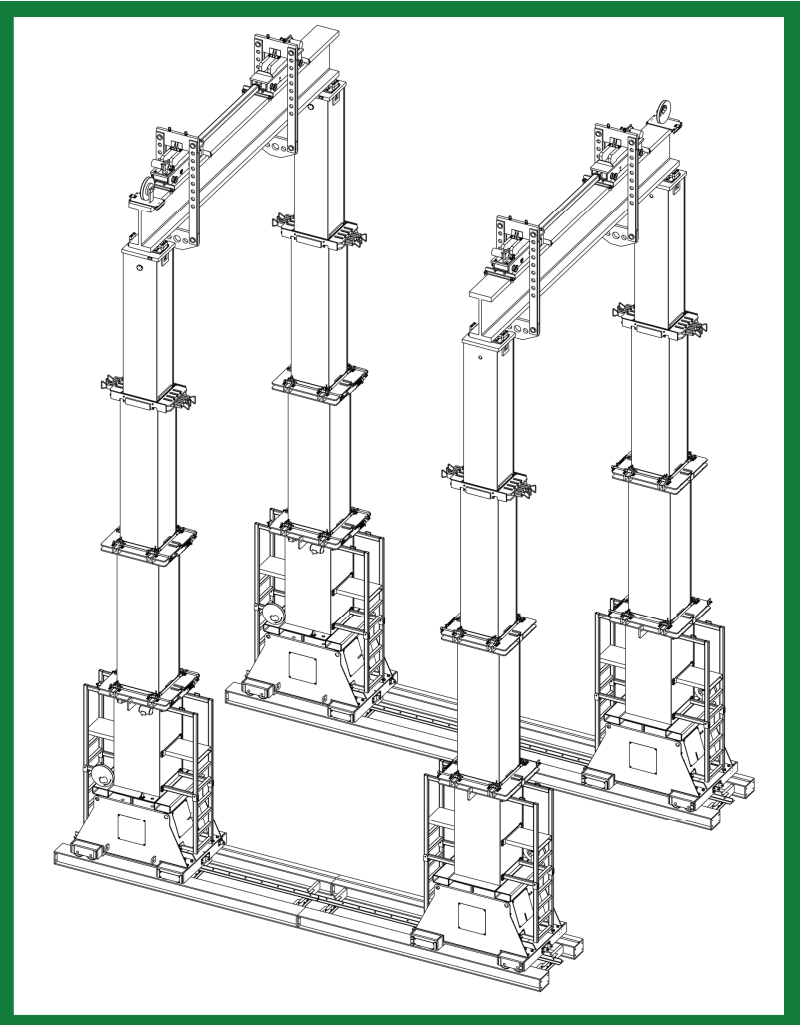
Length: 91" (2311 mm)
Width: 60" (1524 mm)
Height Retracted: 13'2" (4033 mm)
Weight: 24,500 lbs. (11,125 kg)

POWER UNITS:

Two (2) 400 gallon (1514 L) Power Units
per Four Point System

Power Options: Diesel, Gasoline,
Propane, Electric (3 phase, 440 Volt,
60 Hz; or 3 Phase, 380 Volt, 50Hz)

Length: 100.5" (2553 mm)
Width: 68.5" (1740 mm)
Height: 54.75" (1391 mm)
Weight: 8550 lbs. (3880 kg)



STANDARD FEATURES

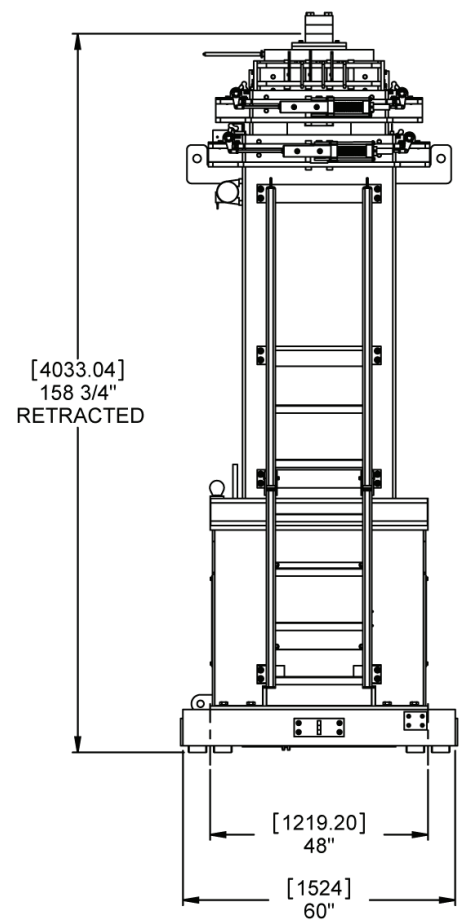
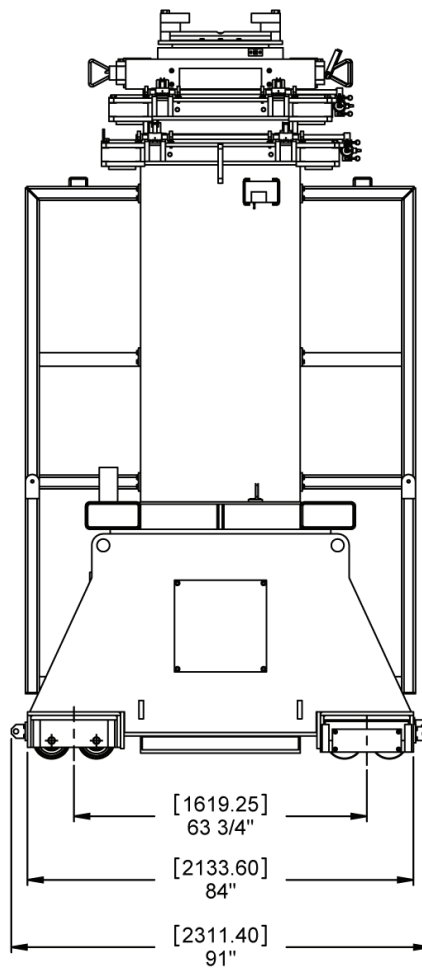
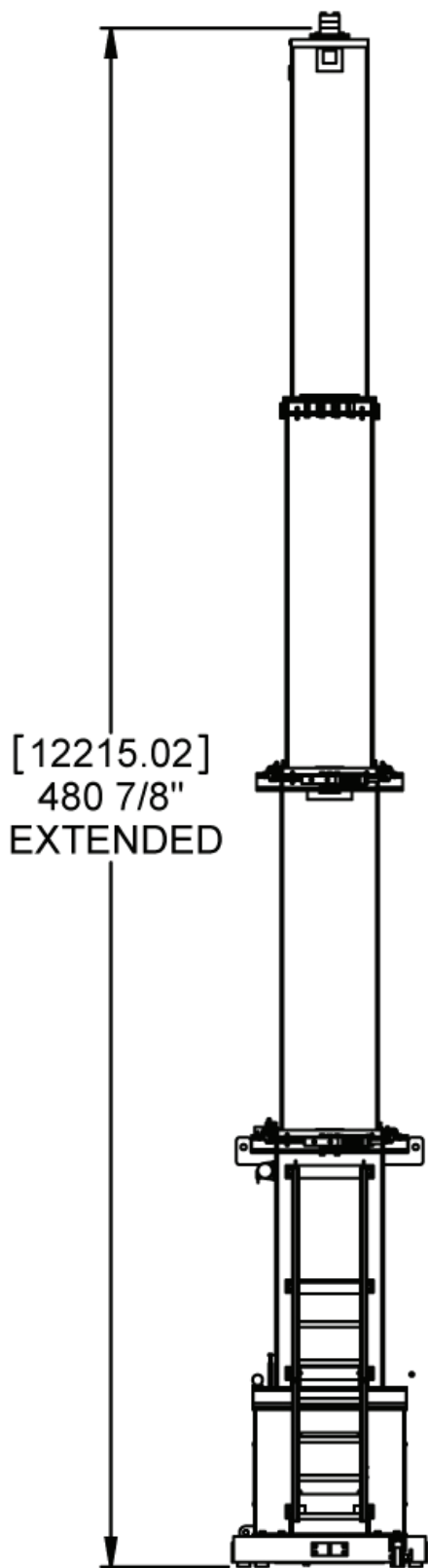
- Straightest Booms in the Industry
- Large Lift Lugs
- Safety Holding Valves
- Wedge Inter-Lock System
- Large Work Platforms
- Double Acting Cylinders

LIFT SYSTEMS, INC.

OFFICE:
1505 - 7th Street
East Moline, IL 61244

MAILING ADDRESS:
P.O. Box 906
Moline, IL 61266

TEL: +1-309-764-9842
FAX: +1-309-764-9848
EMAIL: liftit@lift-systems.com
WEB: www.lift-systems.com



MODEL 34PT8552WT

Metric dimensions [mm]

OPTIONAL EQUIPMENT AND FEATURES

- Integral Drives
- Changeable Power - Diesel to Electric in Minutes
- Digital Height Indicator
- Digital Load Weight Indicator
- Fully Powered Side Shift Systems
- Leveling Systems
- CARL Computerized Synchronization System
- Radio Remote Control
- Powered Rotators
- Adjustable Lifting Links
- Runway Track
- Track Stands
- Stator Frames
- Lifting Beams with Certified Load Charts
- Training Technicians

LIFT SYSTEMS, INC.

OFFICE:
1505 - 7th Street
East Moline, IL 61244

MAILING ADDRESS:
P.O. Box 906
Moline, IL 61266

TEL: +1-309-764-9842
FAX: +1-309-764-9848
EMAIL: liftit@lift-systems.com
WEB: www.lift-systems.com