



MODEL 34PT14080WT

1400 Ton POWER TOWER Gantry System

CAPACITY:

4 Point

1400 (1270) Tons to 35'7" (10,846 mm)
892 (809) Tons to 46' 0" (14,021 mm)

2 Point

700 (635) Tons to 35'7" (10,846 mm)
446 (404) Tons to 46' 0" (14,021 mm)

Max. Operating PSI: 3,000 (207 bar)

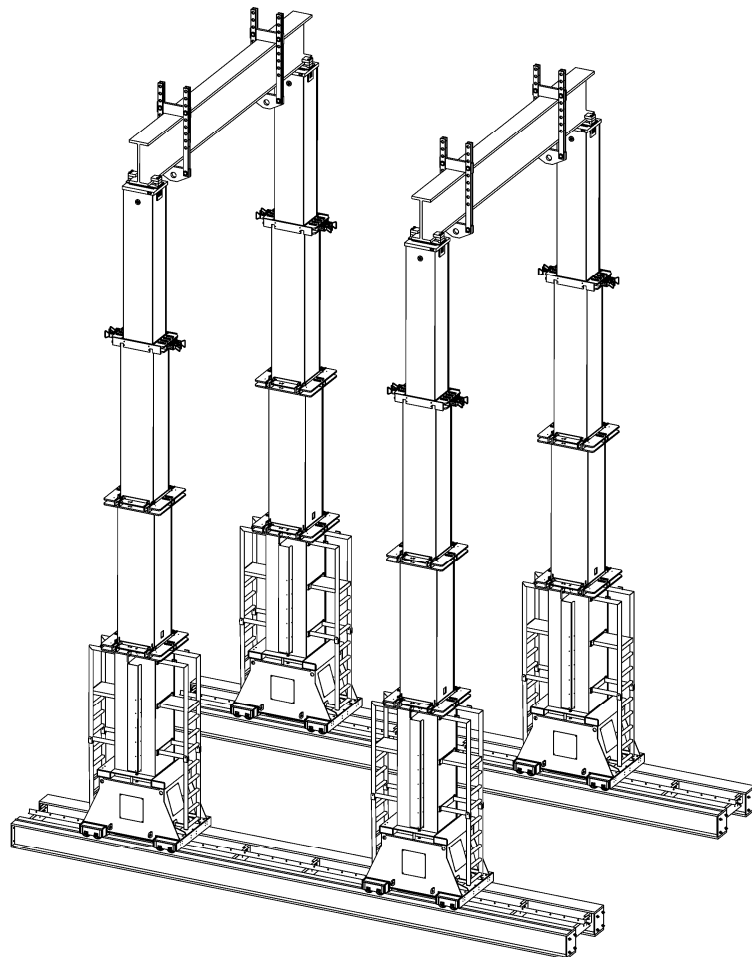
BASE DIMENSIONS:

Length: 91" (2,311 mm)
Width: 61" (1,549 mm)
Height Retracted: 15'3" (4,648 mm)
Weight: 32,000 lbs. (14,515 kg)

POWER UNITS:

Two (2) 500 gallon (1,893 L) Power Units
per Four Point System
Power Options: Diesel, Gasoline,
Propane, Electric (3 phase, 440 Volt,
60 Hz; or 3 Phase, 380 Volt, 50Hz)

Length: 87.5" (2,223 mm)
Width: 74.5" (1,892 mm)
Height: 54.75" (1,391 mm)
Weight: 7,500 lbs. (3,402 kg)



STANDARD FEATURES

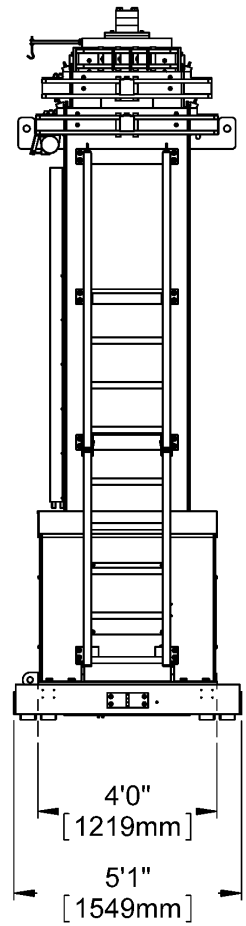
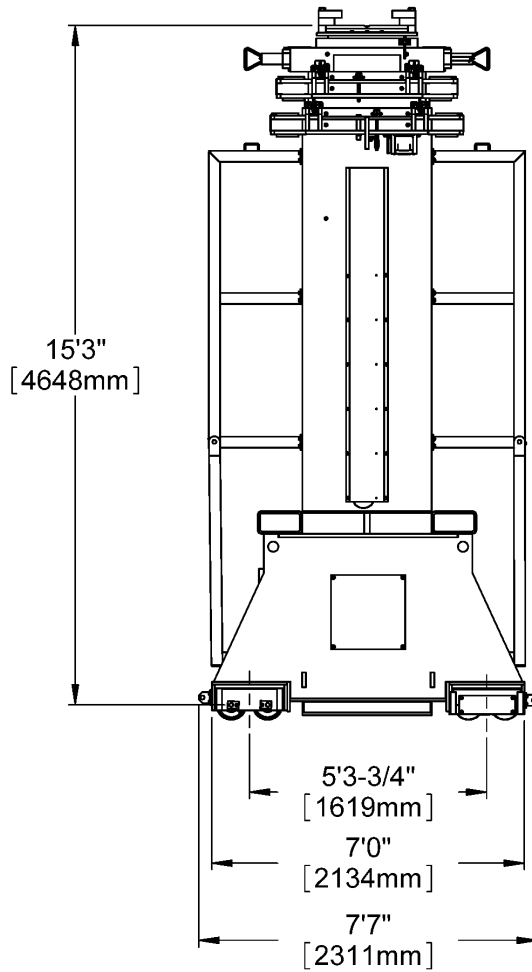
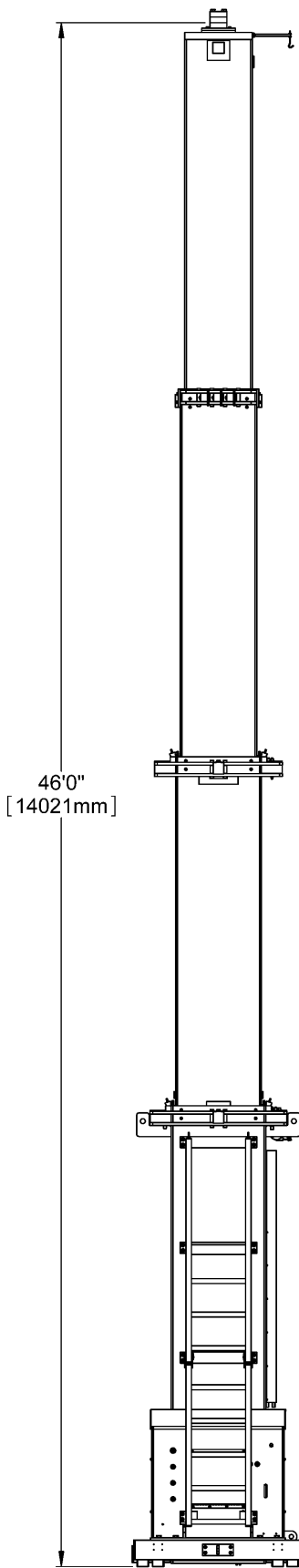
- Straightest Booms in the Industry
- Large Lift Lugs
- Safety Holding Valves
- Wedge Inter-Lock System
- Large Work Platforms
- Double Acting Cylinders

LIFT SYSTEMS, INC.

OFFICE:
1505 - 7th Street
East Moline, IL 61244

MAILING ADDRESS:
P.O. Box 906
Moline, IL 61266

TEL: +1-309-764-9842
FAX: +1-309-764-9848
EMAIL: liftit@lift-systems.com
WEB: www.lift-systems.com



Metric dimensions [mm]

MODEL 34PT14080WT

OPTIONAL EQUIPMENT AND FEATURES

- Integral Drives
- Changeable Power - Diesel to Electric in Minutes
- Digital Height Indicator
- Digital Load Weight Indicator
- Fully Powered Side Shift Systems
- Leveling Systems
- CARL Computerized Synchronization System
- Radio Remote Control
- Powered Rotators
- Adjustable Lifting Links
- Runway Track
- Track Stands
- Stator Frames
- Lifting Beams with Certified Load Charts
- Training Technicians

LIFT SYSTEMS, INC.

OFFICE:
1505 - 7th Street
East Moline, IL 61244

MAILING ADDRESS:
P.O. Box 906
Moline, IL 61266

TEL: +1-309-764-9842
FAX: +1-309-764-9848
EMAIL: liftit@lift-systems.com
WEB: www.lift-systems.com