



# MODEL 24PT500WXT

## 500 Ton POWER TOWER Gantry System

### CAPACITY:

#### 4 Point

500 (450) Tons to 35' (10,668 mm)

#### 2 Point

250 (225) Tons to 35' (10,668 mm)

Max. Operating PSI: 2500 (172 bar)

### BASE DIMENSIONS:

Length: 91.5" (2,342 mm)

Width: 48" (1,219 mm)

Height Retracted: 15'0" (4,572mm)

Weight: 15,500 lbs. (7,037 kg)

### POWER UNITS:

Two (2) 200 gallon (767 L) Power Units per four point system

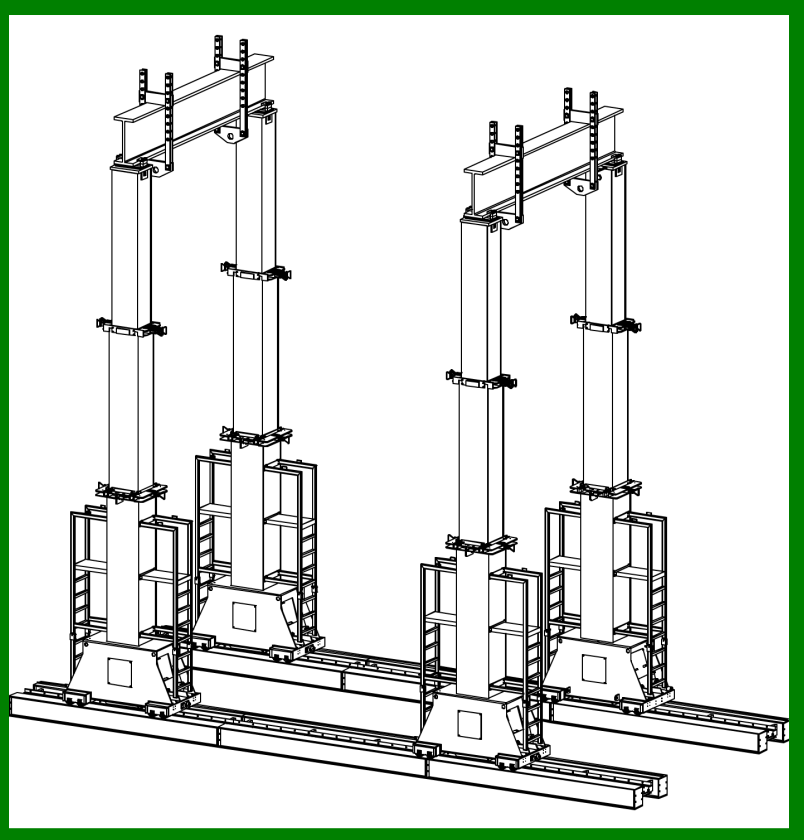
Power Options: Diesel, Gasoline, Propane, Electric (3 phase, 440 Volt, 60 Hz; or 3 Phase, 380 Volt, 50Hz)

Length: 65.5" (1664 mm)

Width: 48.5" (1232 mm)

Height: 54.75" (1391 mm)

Weight Each: 3100 lbs. (1406 kg)



### STANDARD FEATURES

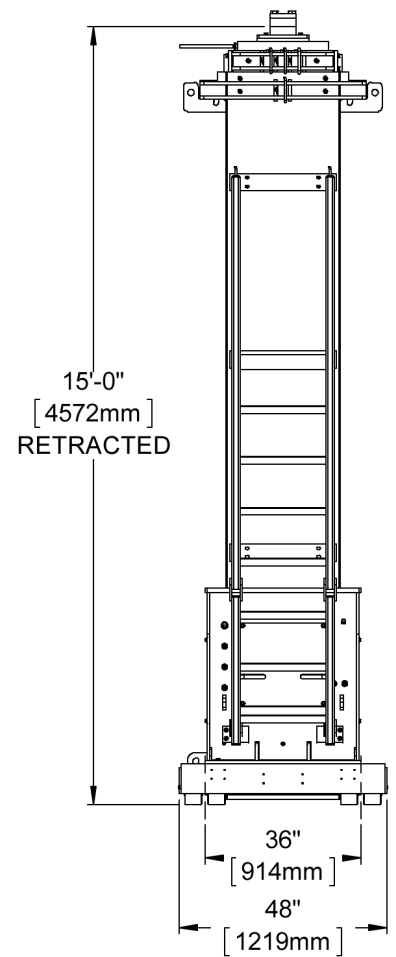
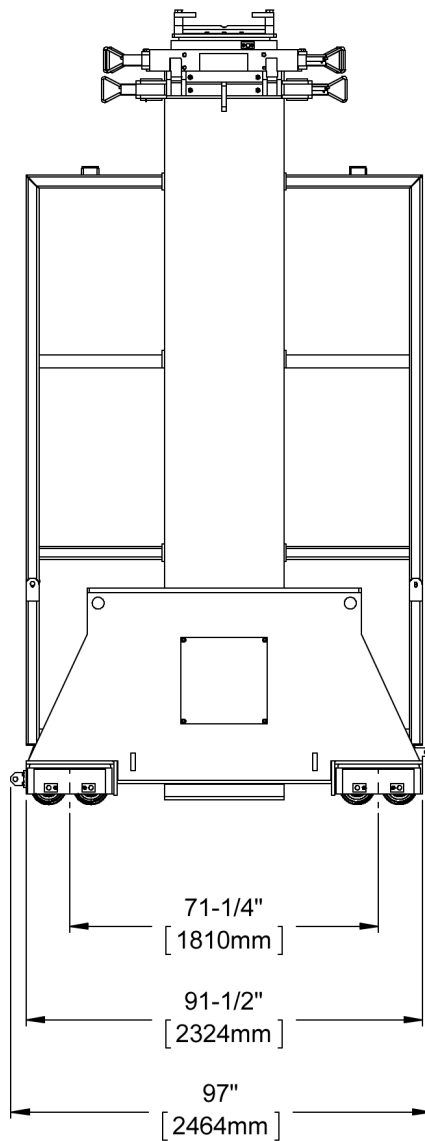
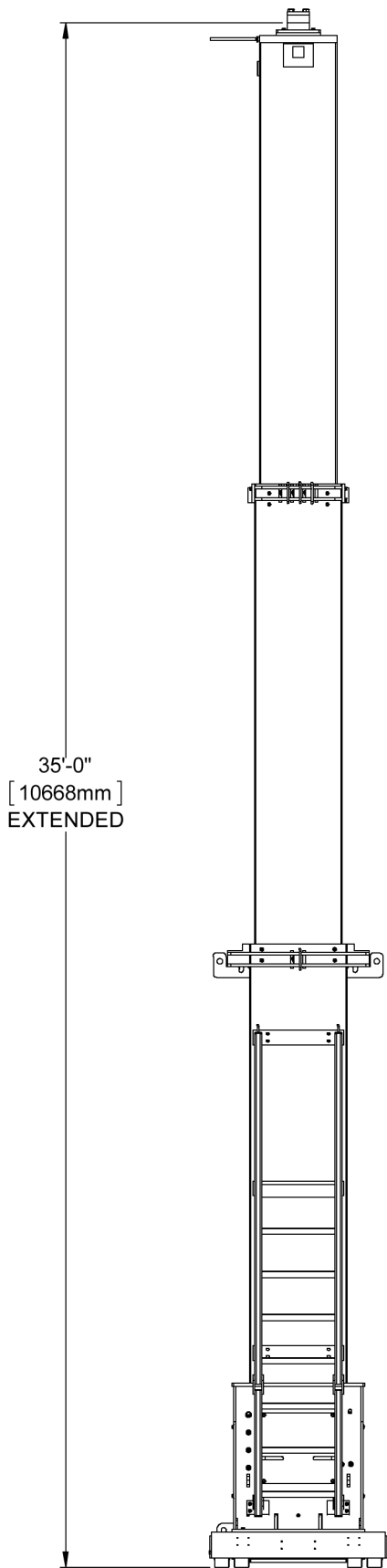
- Straightest Booms in the Industry
- Large Lift Lugs
- Safety Holding Valves
- Wedge Inter-Lock System
- Large Work Platforms
- Double Acting Cylinders

### LIFT SYSTEMS, INC.

OFFICE:  
1505 - 7th Street  
East Moline, IL 61244

MAILING ADDRESS:  
P.O. Box 906  
Moline, IL 61266

TEL: +1-309-764-9842  
FAX: +1-309-764-9848  
EMAIL: [liftit@lift-systems.com](mailto:liftit@lift-systems.com)  
WEB: [www.lift-systems.com](http://www.lift-systems.com)



# MODEL 24PT500WXT

Metric dimensions [mm]

## LIFT SYSTEMS

MODELS 24PT500 XT/XLT/XWT CAPACITY LOAD CHART  
500 (453) TON 4 POINT LIFT SYSTEM

PTLC401

PRESSURE	2,500 PSI 172 bar	2,200 152	2,000 138	1,800 124	1,600 110	1,400 97	1,200 83	1,000 69	800 55	600 41	400 28	200 14
35' 0" (10,668 mm) 2nd STAGE	500 TON (453)	457 TON (414)	415 TON (376)	373 TON (338)	332 TON (301)	290 TON (263)	249 TON (225)	207 TON (187)	166 TON (150)	124 TON (112)	83 TON (75)	41 TON (37)
25' 0" (7,620 mm) 1st STAGE	500 TON (453)	457 TON (414)	415 TON (376)	373 TON (338)	332 TON (301)	290 TON (263)	249 TON (225)	207 TON (187)	166 TON (150)	124 TON (112)	83 TON (75)	41 TON (37)

15' 0"  
(4,572 mm)

### LIFT SYSTEMS, INC.

OFFICE:  
1505 - 7th Street  
East Moline, IL 61244

MAILING ADDRESS:  
P.O. Box 906  
Moline, IL 61266

TEL: +1-309-764-9842  
FAX: +1-309-764-9848  
EMAIL: [liftit@lift-systems.com](mailto:liftit@lift-systems.com)  
WEB: [www.lift-systems.com](http://www.lift-systems.com)